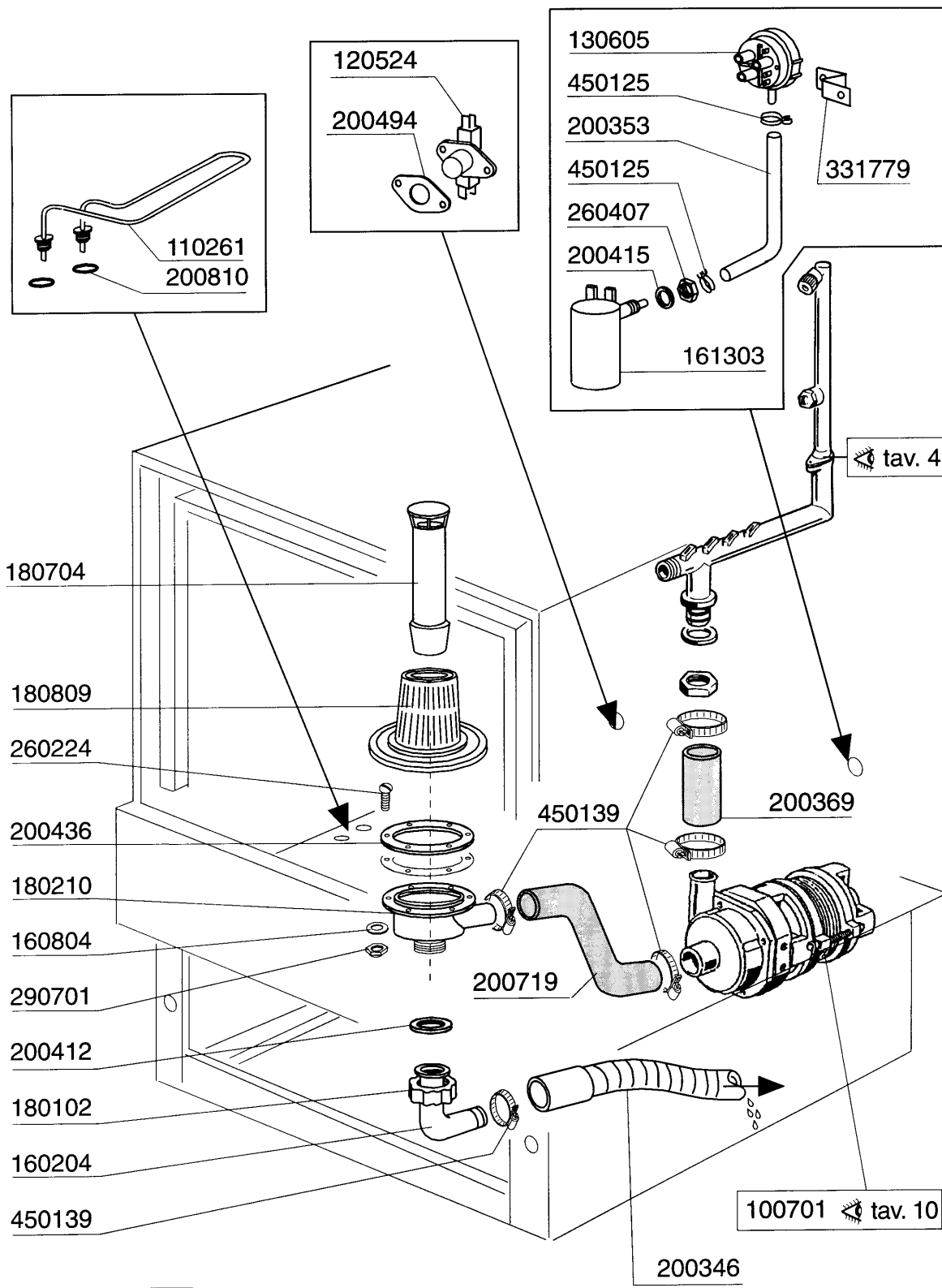


CODE	DESCRIPTION
120323	MICRO SWITCH WITH LEVER
150226	TERMINAL BLOCK
150828	CABLE HOLDER PA/107
160755	PLUG FOR MACHINES WITHOUT SOFT
161104	BACK PANEL B25-11-12-18‡
170812	GREY DOOR HANDLE
180506	DOOR CATCH BR-BC-FC
200215	DOOR GASKET FOR CA-CH GLASSWAS
200433	SPONGY RUBBER RECT. 6X2,5 ADHE
200461	HANDLE GASKET GLASSWASHER
200489	GASKET 81X68X3
210204	FOOT FOR B20-10-11-12-15 ‡
260105	SCREW TE 6X20
260126	SCREW TE 5X12
260223	M5X12 MSH/HD SCREW SPECIAL S/S
260248	SPECIAL SCREW TB 5X12
260403	NUTS D.5
260404	STAINLESS STEEL NUTS D6 UNI 55
260504	ST/ST FLAT WASHER D6
260511	GROWER WASHER D.5
260512	ST/ST GROWER WASHER D6
260538	WASHER 18X6X1,5 ST/ST
310212	BLIND NUT M6 BLACK NYLON
320392	TOP PANEL "B" LAV-LINE
322929	DOOR CH-CA 24
322937	DOOR BACK PANEL CH-CA22/CH-CA2
330820	BUSH DOOR SWITCH F2-20-45-5
331449	MICRO SWITCH BRACKET BT
331843	CLAMPING PIECES
331950	BRACKET
341927	DOOR PIN
351278	LOWER FRONT PANEL CA-CH
381002	PIN F.DOOR MICRO F2-20-45-55
390145	PANEL FOR "B" COLBERT



06 - 1999 S. AG.

3 - Tank

CODE	DESCRIPTION
100701	PUMP HP 0,2 220/240V-50-2228
110261	TANK ELEMENT 1500W -230V
120524	TANKTHERMOSTAT GLASSWASHER
130605	PRESSURE SWITCH 50-30 1 LEVEL
160204	ELBOW F. DRAIN - GLASS WASHER
160804	GASKET D.6
161303	AIR TRAP GLASSWASHER
180102	DRAIN PIPE NUT 1"1/2 F45-55
180210	PUMP INLET B20-23-10-11-12
180704	OVERFLOW PIPE B23-10-11-12/160
180809	STRAINER B23-27-10-12
200346	DRAIN HOSE GLASSWASHER
200353	PRESS.SWITCH HOSE B23-10-1-2-C
200369	OUTLET HOSE 28X36X45 B23-10-1-
200412	GASKET DRAIN 11/2" 45X33X3
200415	AIR TRAP GASKET -F2 18,5X10X3
200436	GASKET PUMP SUCTION B23-27
200494	GASKET FOR TANKTHERMOSTAT BT
200719	INLET HOSE B23-10-1-2
200810	O-RING 2,62X9,92X15,6 F.GLASSW
260224	TB-SCREW 6X15 B23-10-11-12
260407	STAINLESS STEEL NUTS D10 UNI 5
290701	HEXAGON BLIND NUTS GM H12
331779	PRESSURE SWITCH BRACKET
450125	ELASTIC CLAMP D. 10,4X9,8
450139	CLAMP 26-38 H=9

4 - Wash/Rinse column

260403

200464

260212

170634

200844

170946

200845

160734

170636

180413

200604

200464

260212

170633

170946

200844

200845

160734

170635



■ 450103 (13 - 20)

200604

190618

170908

200122

170604

330611

200819

170924

260205

260502

260510

200819

260402

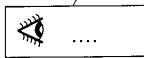
170603

200412

320624

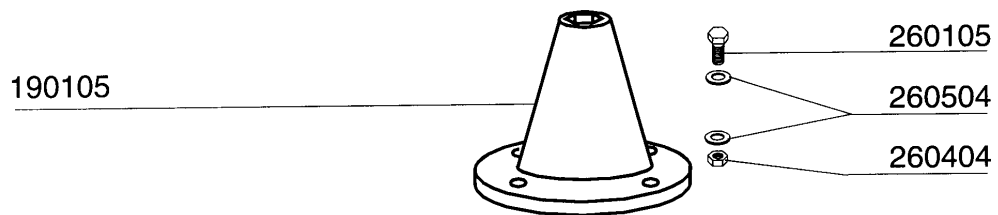
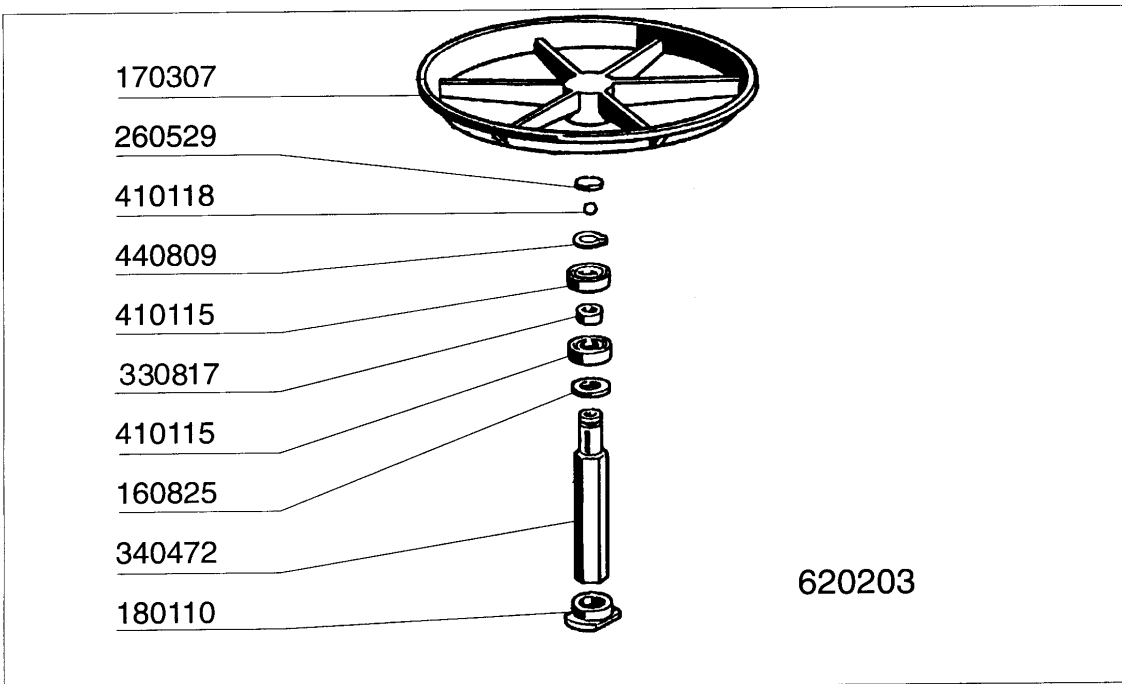
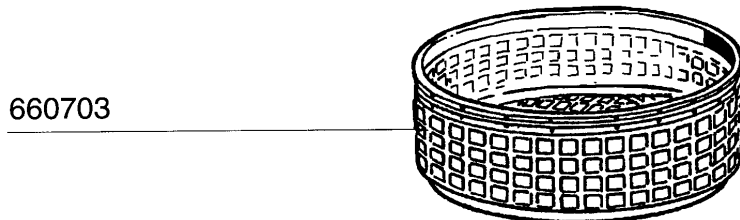
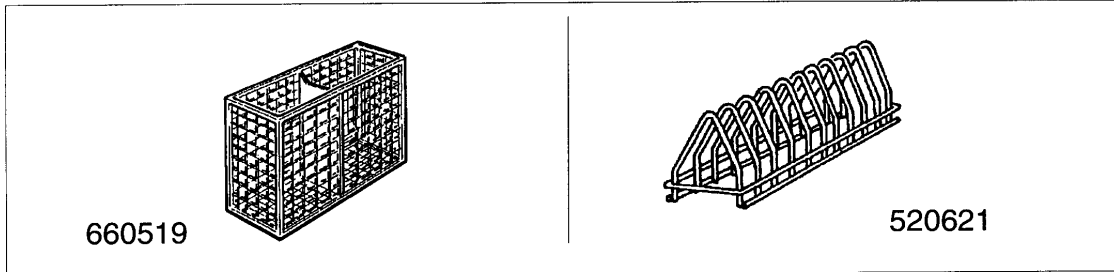
270106

160710



4 - Wash/Rinse column

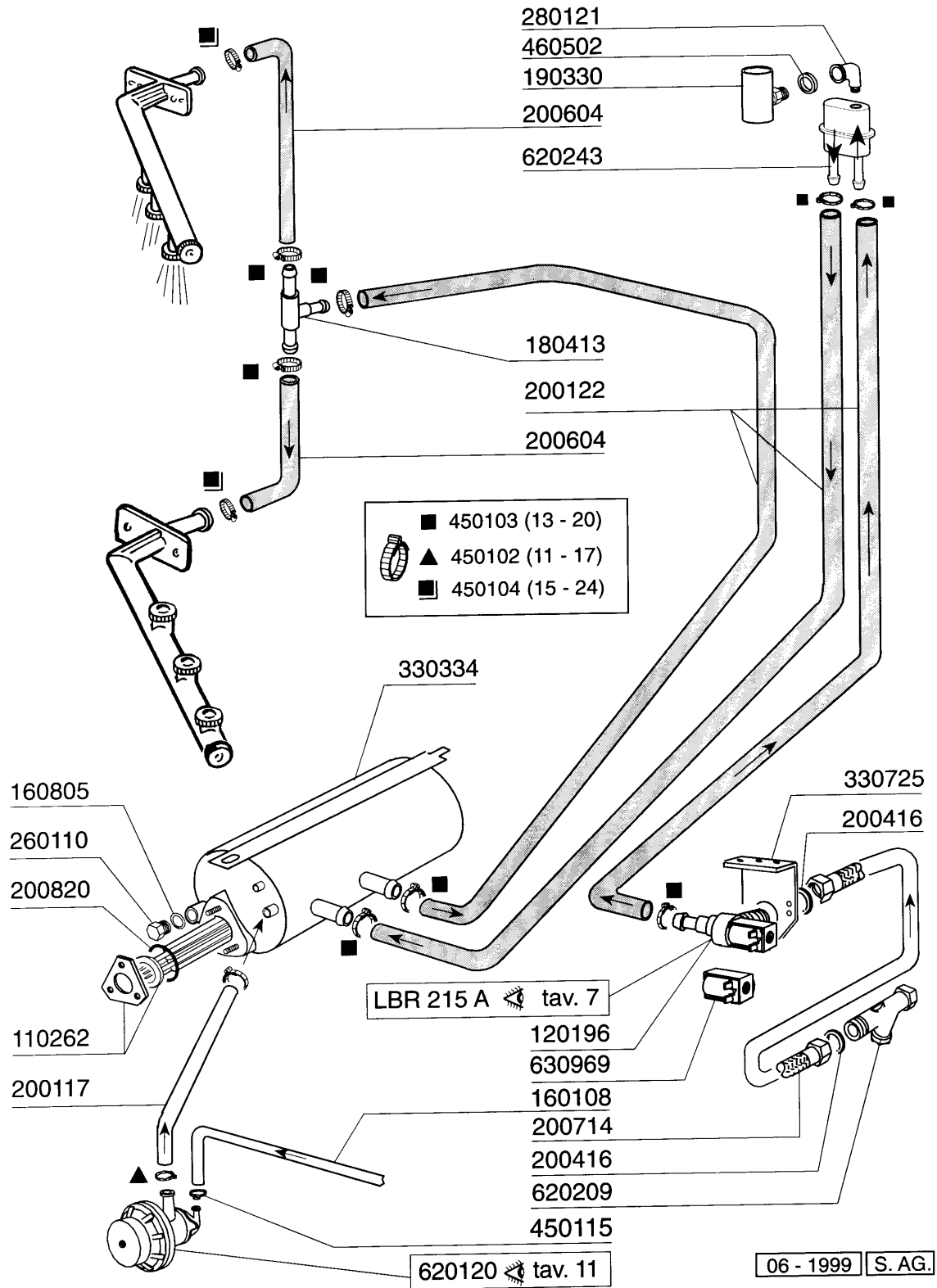
CODE	DESCRIPTION
160710	PLUG OF WASHPIPE B23-27-10-11
160734	END PLUGS RINSE ARM
170603	LOWER WASH PIPE B23-27-10-11
170604	SIDE WASH PIPE B23-12T
170633	LOWER RINSE ARM B10T-BR
170634	UPPER RINSE ARM B10T-BR
170635	LOWER RINSE ARM ASSEMBLY B10-1
170636	UPPER RINSE ARM ASSEMBLY B10-1
170908	NOZZLE WASH B23-10-12
170924	NOZZLE WASH B23-10-11-12
170946	RINSE JET/RINSE ARM B-F
180413	TEE NIPPLE D.11,5 - RINSE ASSE
190618	DEFLECTOR OF WASHNOZ. B23-10-1
200122	HOSE 11X19
200412	GASKET DRAIN 11/2" 45X33X3
200464	GASKET 60X30 FOR RINSE HOSE B1
200604	RINSE HOSE B23-B11-2-5
200819	O-RING 17,13X21,65 3068
200844	O RING 2X9,5X13,5
200845	O RING 109 2,62X9,13X14,37
260205	SCREW TCP 4X16
260212	SCREW TCP 5X20
260402	STAINLESS STEEL NUT D4 UNI 55
260403	NUTS D.5
260502	S/S FLAT WASHER D.4
260510	GROWER WASHER D.4
270106	LOCK NUT 1"
320624	PLATE LOWER WASHPIPE B10-12T
330611	SIDE WASH ARM BRACKET B10T-B12
450103	CLAMP FE ZN. 13-20 H=9



06 - 1999 S. AG.

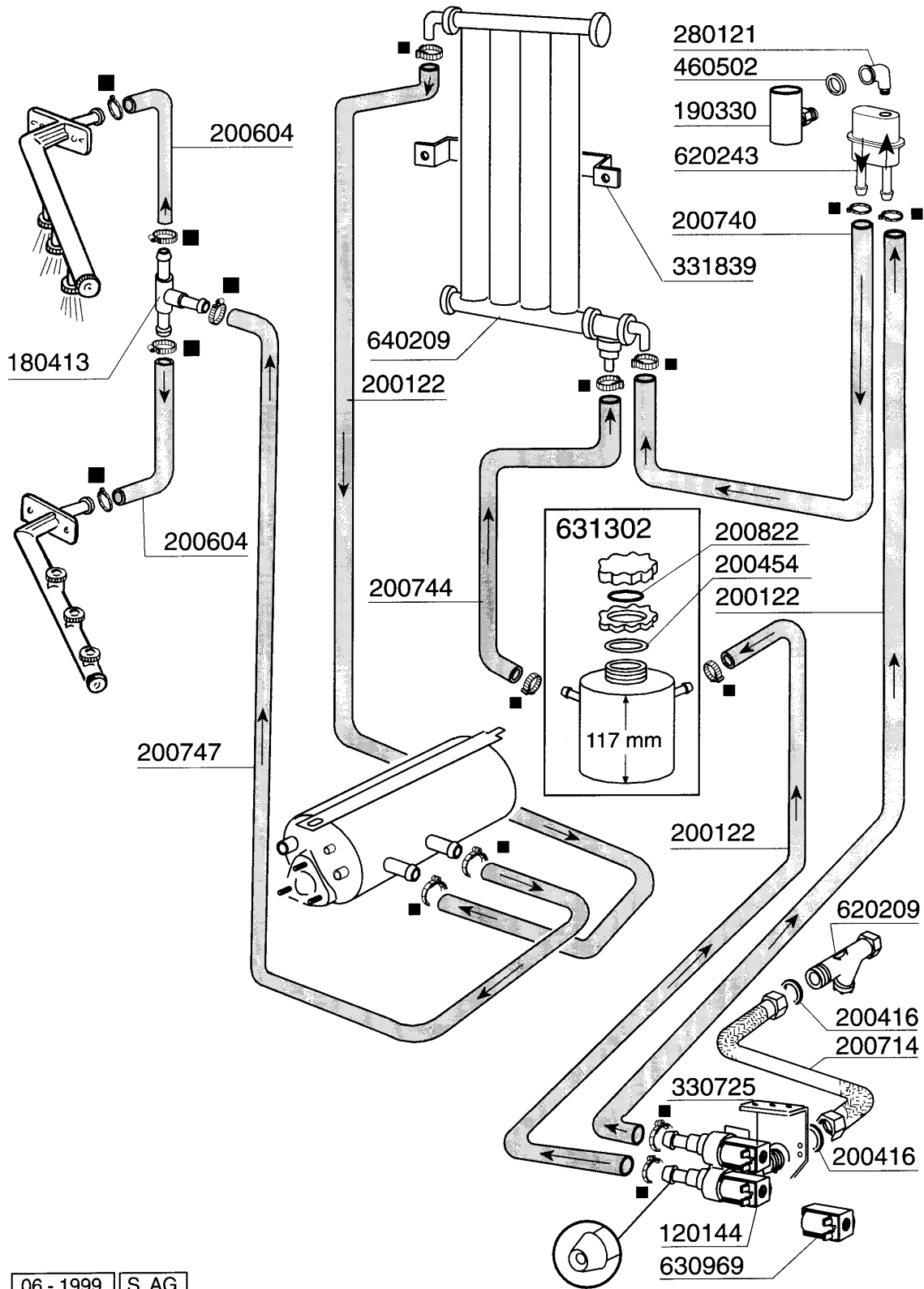
5 - Rack

CODE	DESCRIPTION
160825	WASHER 30X12X1 TEFL F.RACKSUPP
170307	RACK SUPPORT B20-B12T
180110	LOCK NUT F.RACKSUPP.B23
190105	WASHING RACK SUPPORT B23-10-11
260105	SCREW TE 6X20
260404	STAINLESS STEEL NUTS D6 UNI 55
260504	ST/ST FLAT WASHER D6
260529	WASH RACKSUPP.WASHER D24 STAIN
330817	BEARING SPACER GLASSWASH.
340472	SPINDLE RACK SUPPORT GLASSWASH
410115	BALL BEARING 32X12X10 B23/S/S9
410118	BALL D.7MM STAINL.STEEL
440809	SNAP RING D.12 STAINL.ST
520621	SAUCERS INSERT
620203	RACK SUPP. B10-11-12
660519	2-PLACES CUTLERY HOLDER
660703	ROUND RACK FOR GLASSWASHERS



6 - Rinse

CODE	DESCRIPTION
110262	HEAT.ELEMENT 2500W-230V
120196	ONE-WAY SOLENOID VALVE 220V
160108	INJECT.INLET HOSE D.8X5
160805	GASKET D.8
180413	TEE NIPPLE D.11,5 - RINSE ASSE
190330	TEE FOR VAACUM BREAKER
200117	RUBBER HOSE 7X16
200122	HOSE 11X19
200416	GASKET D. 3/4"
200604	RINSE HOSE B23-B11-2-5
200714	GLASSWASHER INLET HOSE
200820	O-RING151 46,99X5,33X57,6
260110	SCREW TE 8X10
280121	ELL FOR VAACUM BREAKER
330334	BOILER GLASSWASHER B10-B19T
330725	STANDARD BRACKET F.SOLEN.VALV
450102	CLAMP FE ZN 11-17 H=9
450103	CLAMP FE ZN. 13-20 H=9
450104	CLAMP FE ZN H=12,5 15-24
450115	ELASTIC CLAMP D.8,3/7,8
460502	GASKET 30X21X2
620120	RINSE AID INJECTOR
620209	INLET WATER FILTER
620243	VACUUM BREAKER (WITHOUT KIT)
630969	COIL S4216 220/50HZ

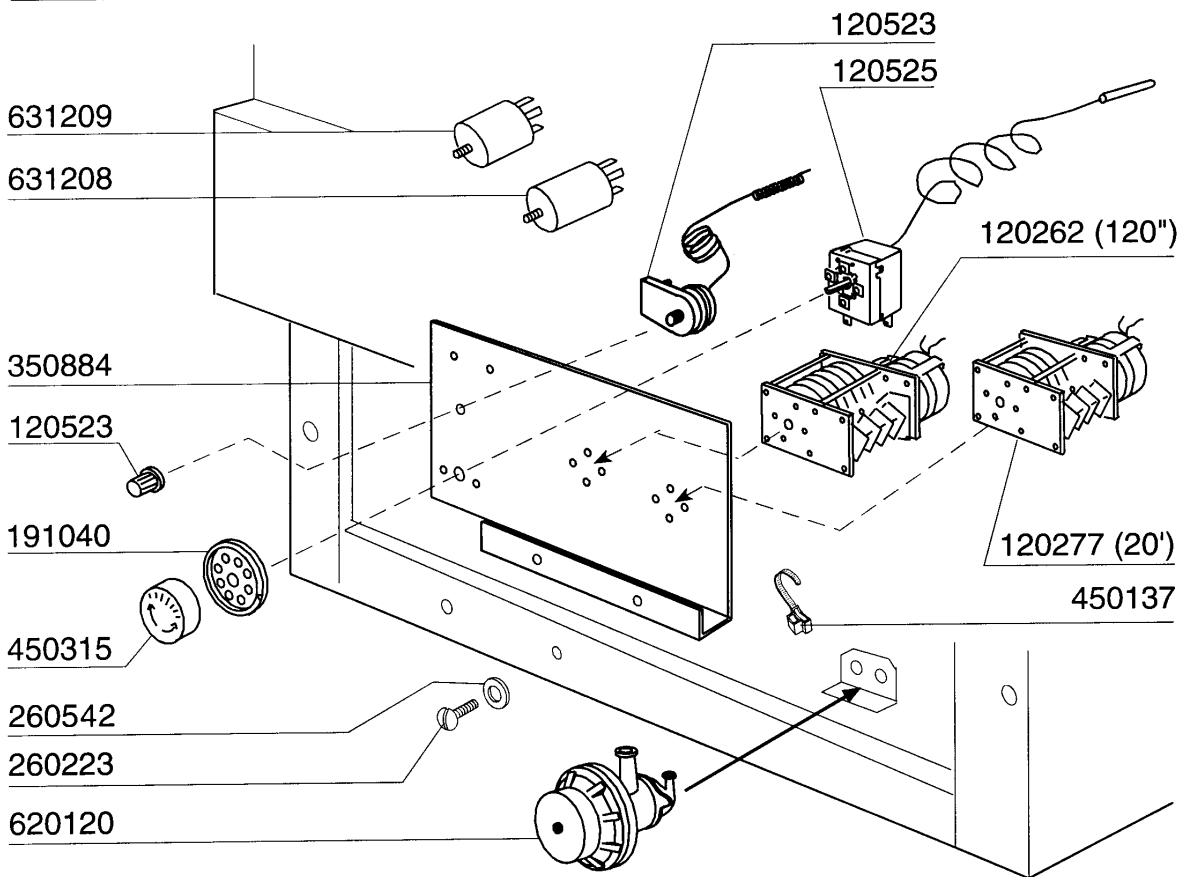
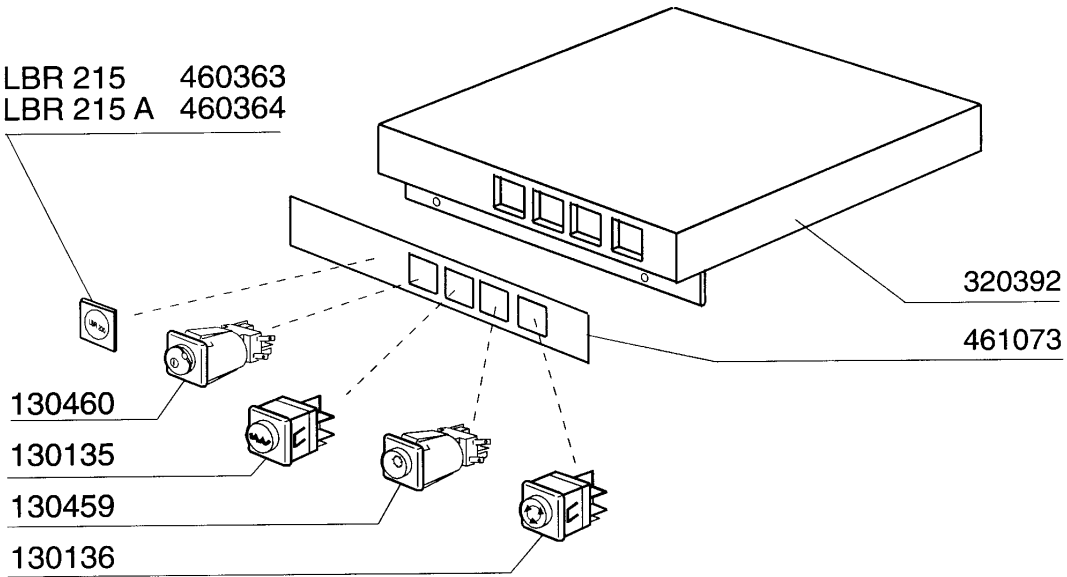


06 - 1999 S. AG.

7 - Water softener

CODE	DESCRIPTION
120144	SOLENOID VALVE FCA 20 LT TYPE
180413	TEE NIPPLE D.11,5 - RINSE ASSE
190330	TEE FOR VAACUM BREAKER
200122	HOSE 11X19
200416	GASKET D. 3/4"
200454	GASKET F. SALT CONT.
200604	RINSE HOSE B23-B11-2-5
200714	GLASSWASHER INLET HOSE
200740	RINSE CONNECTING HOSE B12 ‡
200744	HOSE FOR WATER SOFTENER B12‡
200747	LOWER RINSE CONNECTING HOSE B1
200822	PLUG GASKET OF SALT CONTAINER
280121	ELL FOR VAACUM BREAKER
330725	STANDARD BRACKET F.SOLEN.VALV
331839	BRACKET FOR WATER SOFTENER
460502	GASKET 30X21X2
620209	INLET WATER FILTER
620243	VACUUM BREAKER (WITHOUT KIT)
630969	COIL S4216 220/50HZ
631302	SALT CONTAINER
640209	WATER SOFTENER (4 COLUMNS)

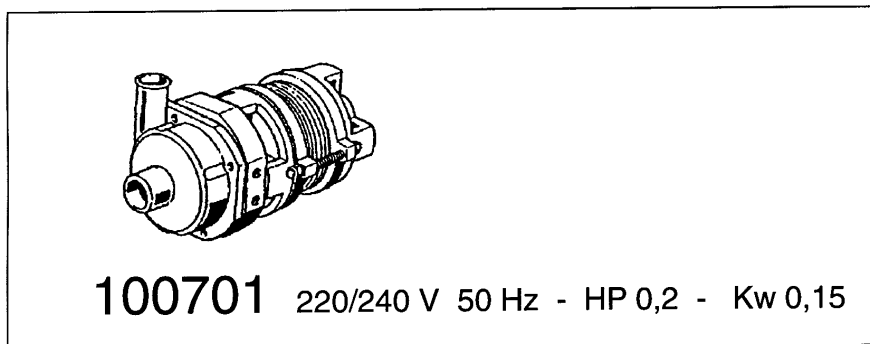
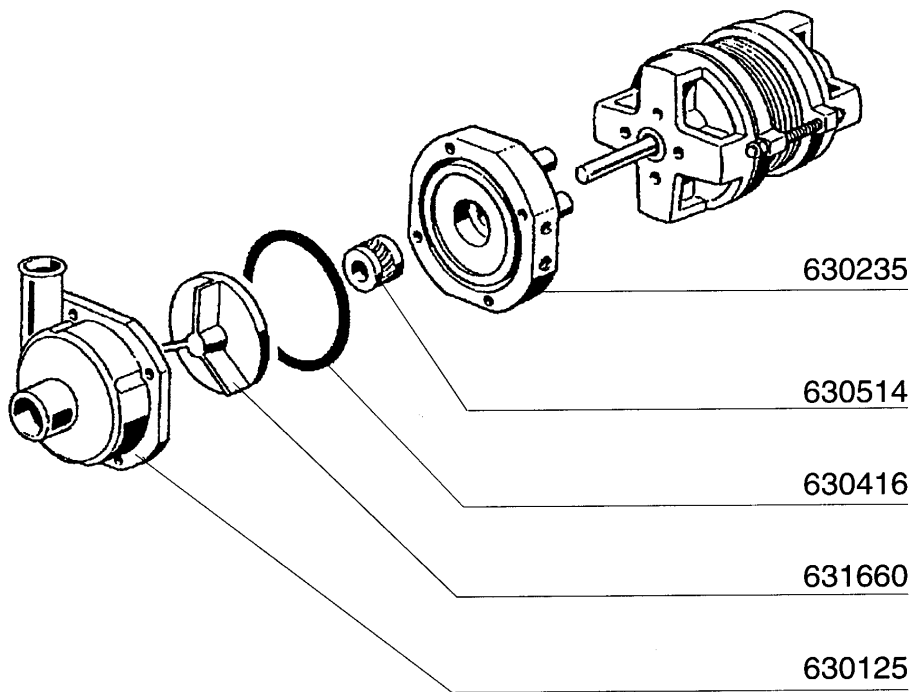
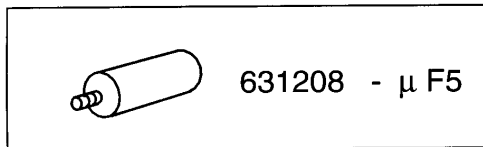
LBR 215 460363
LBR 215 A 460364



02 - 2001 S. AG.

8 - Control box LBR215 - LBR215A

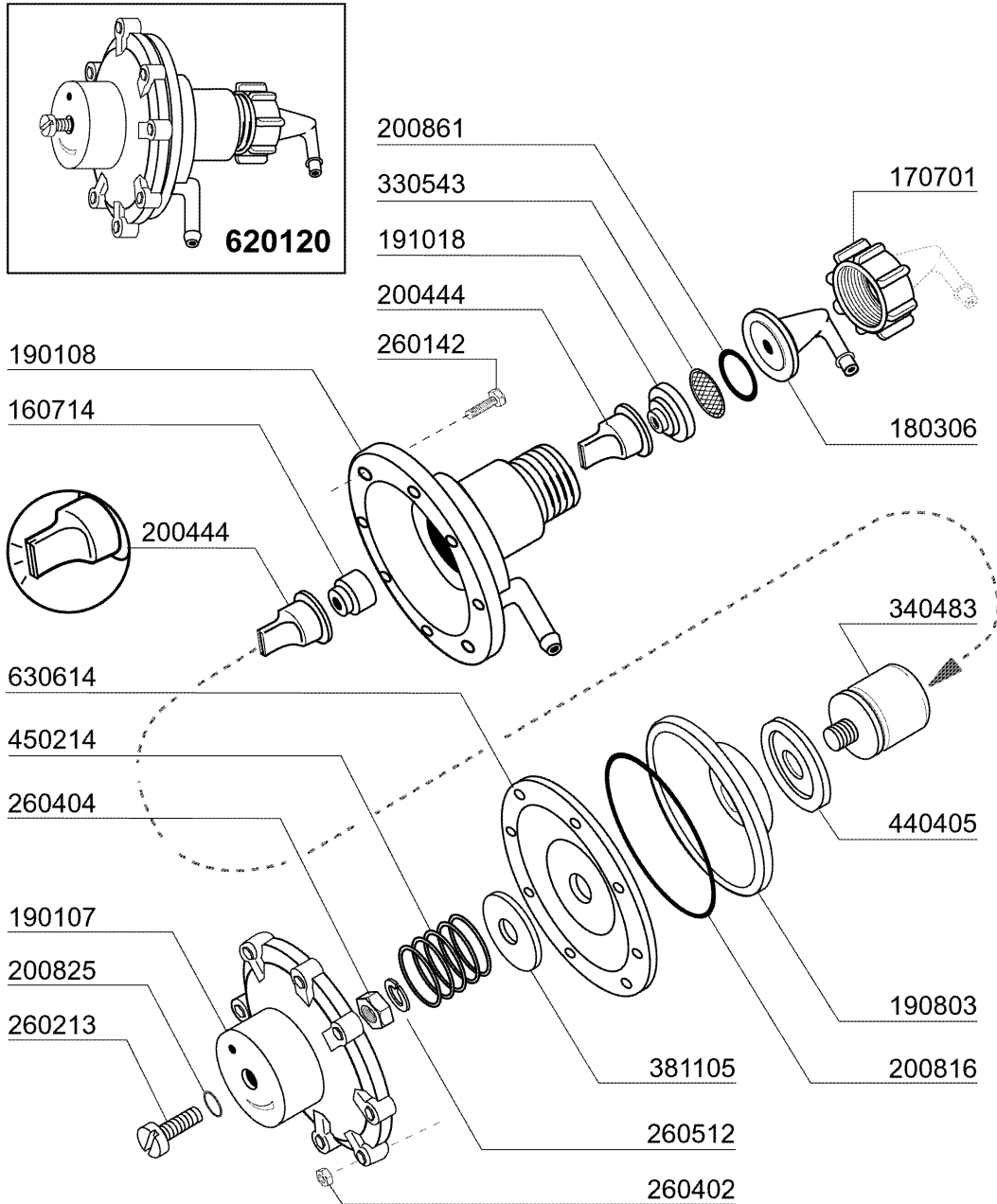
CODE	DESCRIPTION
120262	TIMER IMP. 4 CAMS 120"
120277	REGENERATION TIMER 3 CAMS 20'
120523	SAFETY THERMOSTAT 110Ø
120525	BOOSTER THERMOSTAT 2 TEMPERAT.
130135	PILOT LAMP: MACHINE READY B10>
130136	PILOT LAMP WORKING MACHINE
130459	CYCLE PUSH BUTTON GLASSW.LAV-L
130460	SWITCH FOR LAV-LINE GLASSWASHE
191040	FRAME F.THERMOSTAT KNOB
260223	M5X12 MSH/HD SCREW SPECIAL S/S
260542	WASHER D.5
320392	TOP PANEL "B" LAV-LINE
350884	PANEL SUPPORT CA-CH
450137	COLLAR CONNECTION WITH BASE 31
450315	KNOB F. THERMOSTAT 90Ø
460363	NAME LBR215
460364	NAME LBR215A
461073	PLATE LBC/LBR
620120	RINSE AID INJECTOR
631208	CONDENSER 5MF.450V
631209	ANTI-NOISE FILTER



9 - Wash pump

CODE	DESCRIPTION
100701	PUMP HP 0,2 220/240V-50-2228
630125	VOLUTE 0,12/0,3(2212-29)
630235	PUMP COVER 0,12/0,3 2212-19
630416	OR FOR VOLUTE 0,12/0,3
630514	PUMP SEAL FIR4208
631208	CONDENSER 5MF.450V
631660	IMPELLER F.2229 HP 0,3-50 HZ

10 - Rinse aid injector



02 - 2004 | S. AG.

10 - Rinse aid injector

CODE	DESCRIPTION
160714	PLUG FOR RINSE AID INJECTOR MO
170701	LOCK NUT 1/2" F.INJECTOR
180306	NIPPLE F.RINSE AID INJECTOR
190107	COVER FOR RINSE AID DISPENSER
190108	VOLUTE FOR RINSE AID DISPENSER
190803	GASKET SUPPORT RING F.INJECT
191018	FILTER SUPPORT RINSE AID INJEC
200444	SUCTION VALVE RINSE INJECTOR
200816	O-RING 2,5X59,2X64,2 RINSE INJ
200825	O-RING 3X5X11 RINSE INJECTOR
200861	O-RING 14X18X2
260142	SCREW TE 4X16
260213	SCREW TCP 5X25
260402	STAINLESS STEEL NUT D4 UNI 55
260404	STAINLESS STEEL NUTS D6 UNI 55
260512	ST/ST GROWER WASHER D6
330543	FILTER RINSE AID INJECTOR D.17
340483	PISTON FOR RINSE AID DISPENSER
381105	DIAPHRAGME DISC
440405	GASKET FOR RINSE AID INJ.
450214	SPRING RINSE AID INJECTOR
620120	RINSE AID INJECTOR
630614	DIAPHRAGM RINSE INJECTOR